

MD2 Duct Sealing System

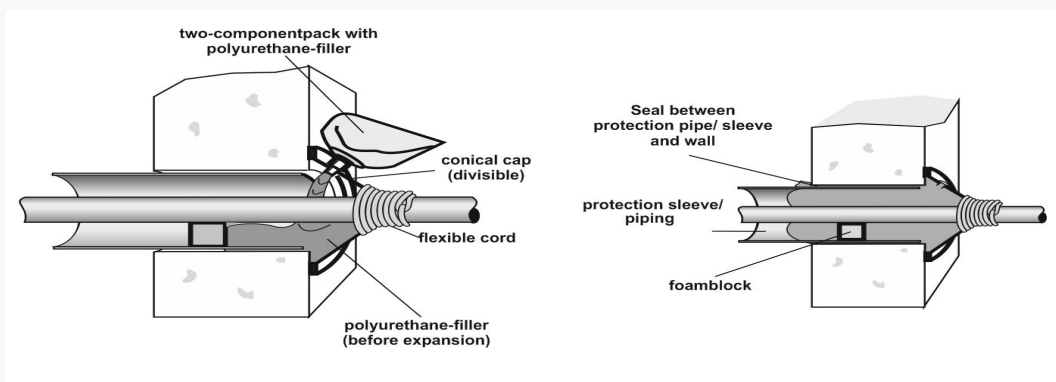


Duct sealing system type MD 2 has been developed to provide an effective and simple solution for all your Gas and Watertight duct sealing requirements. Seals internally & externally around the outside edge of the duct

Suitable for ducts with a diameter of 40mm up to 200mm and cables or pipes with a diameter up to 160mm.

Features

- Gas- and watertight 1,0 bar
- Radon proof
- Expanding polyurethane sealant with a high density and a closed watertight cell structure
- Can be used in any shaped or sized duct up to 200mm
- Easy and quick installation
- One complete kit for sealing of one duct
- Seals all known materials: PVC & PE sheeted cables, PILC cables, (HD)PE pipes, PE drink water conduits
- High mechanical strength, resists ground movement, shocks and vibrations
- Also suitable for renovation works
- No architectural measures necessary
- Used by various utility companies as well as contractors
- Over 25 years of operational experience



Specifications

MD2 Duct Sealing System

Properties	Unit	Value
Start time expansion	seconds	> 95
End time expansion	minutes	15
Compressive strength	N / cm ²	> 60
Gas and water tightness 1,0bar	30 days	no leakage
Density 10m water column	30 days	no leakage
Volume consistency	cube 10 x 10cm	no change
temperature Cycles, -20°C tot +40°C	10 consecutive cycles	no leakage
Vibration test 10 Hz/amplitude 3mm	240 hours	no leakage
axial tensile force	diameter x 10 N	no leakage
Resistance to bending	cables 45° in 2 directions >250mm	no leakage
Expansion polyurethane foam in pipe	cm	< 40
Temperature resistance	°C	+120
Chemical resistance		
0,1N Na ₂ SO ₄	30 days	no degradation
0,1N NaCl	30 days	no degradation
0,1N H ₂ SO ₄	30 days	no degradation
0,1N NaOH	30 days	no degradation
Diesel	30 days	no degradation
Gasonline	30 days	no degradation
Resistance		
Molds		good
Radon gas		no transit
Rodents		good
Shelf life	months	minimal 30

MD2 Duct Sealing System

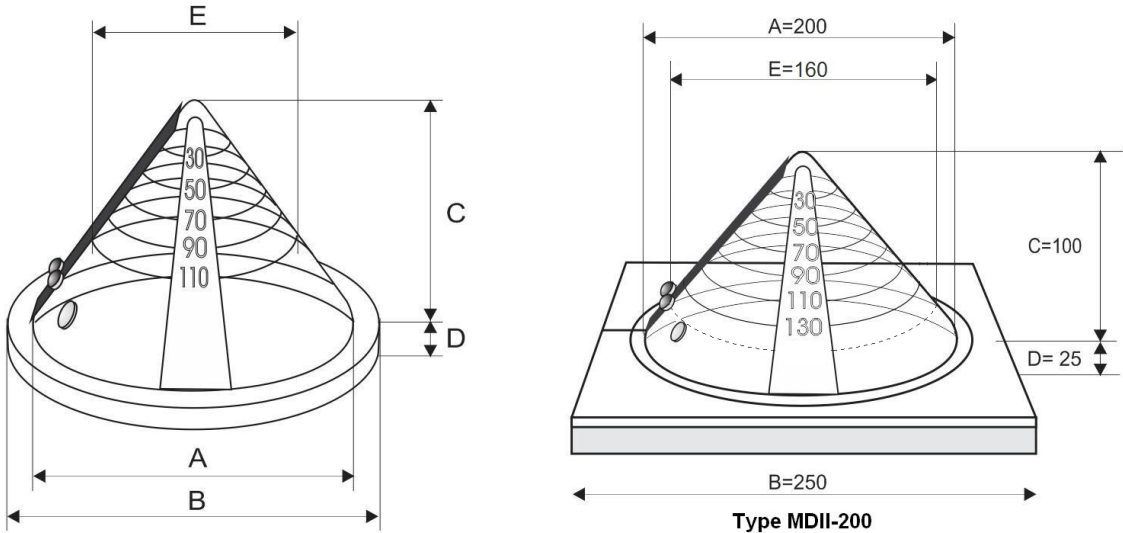


[View this product at: filoform.com](http://filoform.com)

MD2 Duct Sealing System

More info

[Download: MSDS safety sheet](#)



	MD2-50	MD2-110	MD2-125	MD2-160	MD2-200	MD2-250
A	80	130	150	200	200	300
B	100	150	170	220	250	350
C	80	75	70	90	100	130
D	16	15	15	15	25	25
E	40	70	90	130	160	250

MD2 Duct Sealing System

Products

Art.nr.	Product Name	Duct diameter min.-max. (mm)	Maximum cable or pipe diameter in the duct (mm)	Order unit
80271	MD2 50mm duct sealing set	Ø 50 max.	Ø 40 max.	per piece
80261	MD2 110mm duct sealing set	Ø 110 max.	Ø 70 max.	per piece
80251	MD2 125mm duct sealing set	Ø 125 max.	Ø 90 max.	per piece
80241	MD2 160mm duct sealing set	Ø 160 max.	Ø 130 max.	per piece
80246	MD2 200mm duct sealing set	Ø 200 max.	Ø 160 max.	per piece
80247	MD2 250mm duct sealing set	Ø 250 max.	Ø 200 max.	per piece